

STOP!

If you have any issues with the product, please contact our technical support team before returning it.

TECHNICAL SUPPORT

Technical Support : 1 (800) 881 9305

1 (714) 666 1716 X2

Email : support@ezq.com

Service Hours : Mon. - Fri. 08:00 AM - 05:00 PM P.S.T

EZQuest®

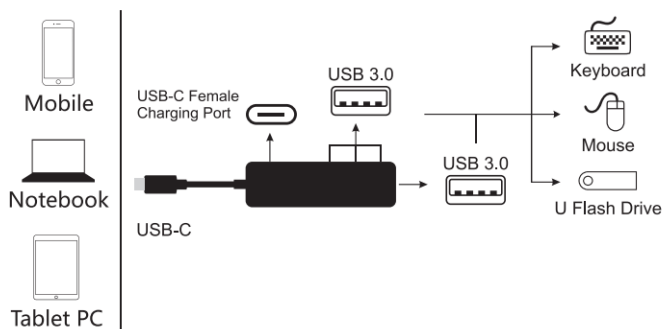
Premium Digital Life Accessories

Quick Instruction Manual for
4-Port USB 3.0 Hub Adapter
with USB-C PD 3.0
Part# X40024



How to Connect to Computer:

Connect the USB-C connector to your computer USB-C port and the rest of the USB devices that you need on your hub side.



USB 3.0 and USB with BC 1.2

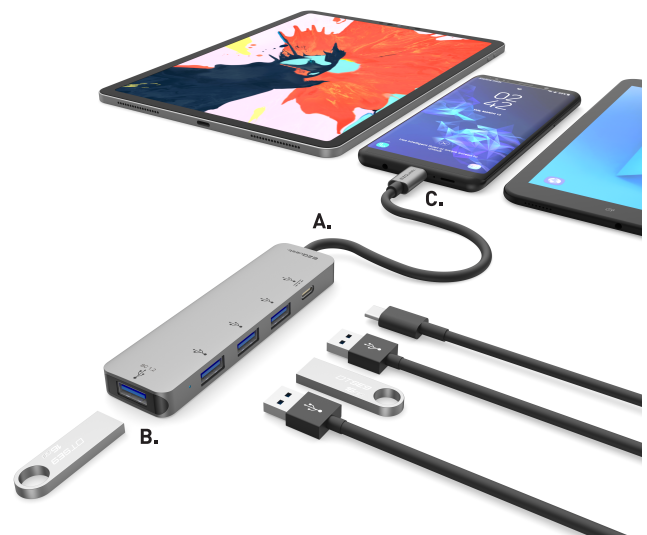
Use the standard USB 3.0 ports to connect devices such as your flash drives, camera, external hard drives or a USB cable for syncing. You can also use the USB 3.0 port with BC 1.2 for charging your iPhone, iPod and more. The huge variety of portable devices with differences in USB ports, and complicated nature of rechargeable batteries, the USB battery charging (BC) version 1.2 is a critical standard for establishing the proper way to charge a battery from a USB port. One USB 3.0 port is equipped with BC 1.2 so you can charge your devices with peace of mind.

How to connect to USB-C smart phone or tablet

Note: Please make sure that your device has the same type of USB-C connectors. The best way is to compare your charging cable connector that comes with your device to make sure it is a USB-C connector.

Please follow steps below:

- Hook up your device USB-C power cable to X40024.
- Connect any of your USB devices to the X40024.
- Connect the USB-C connector to your smart phone or tablet.
- Restart your smart device



Power

Due to the power input limitations of mobile devices, this hub is not suitable for pass-through charging tablets including iPad Pro or phones (when using the original wall charger that came with iPad Pros or phones). To support full-speed charging for iPad Pro, please check your adapter supports 15V (45W).

Please email us with any questions or feedback you might have about our products to

support@ezq.com.

1 (800) 881 9305